

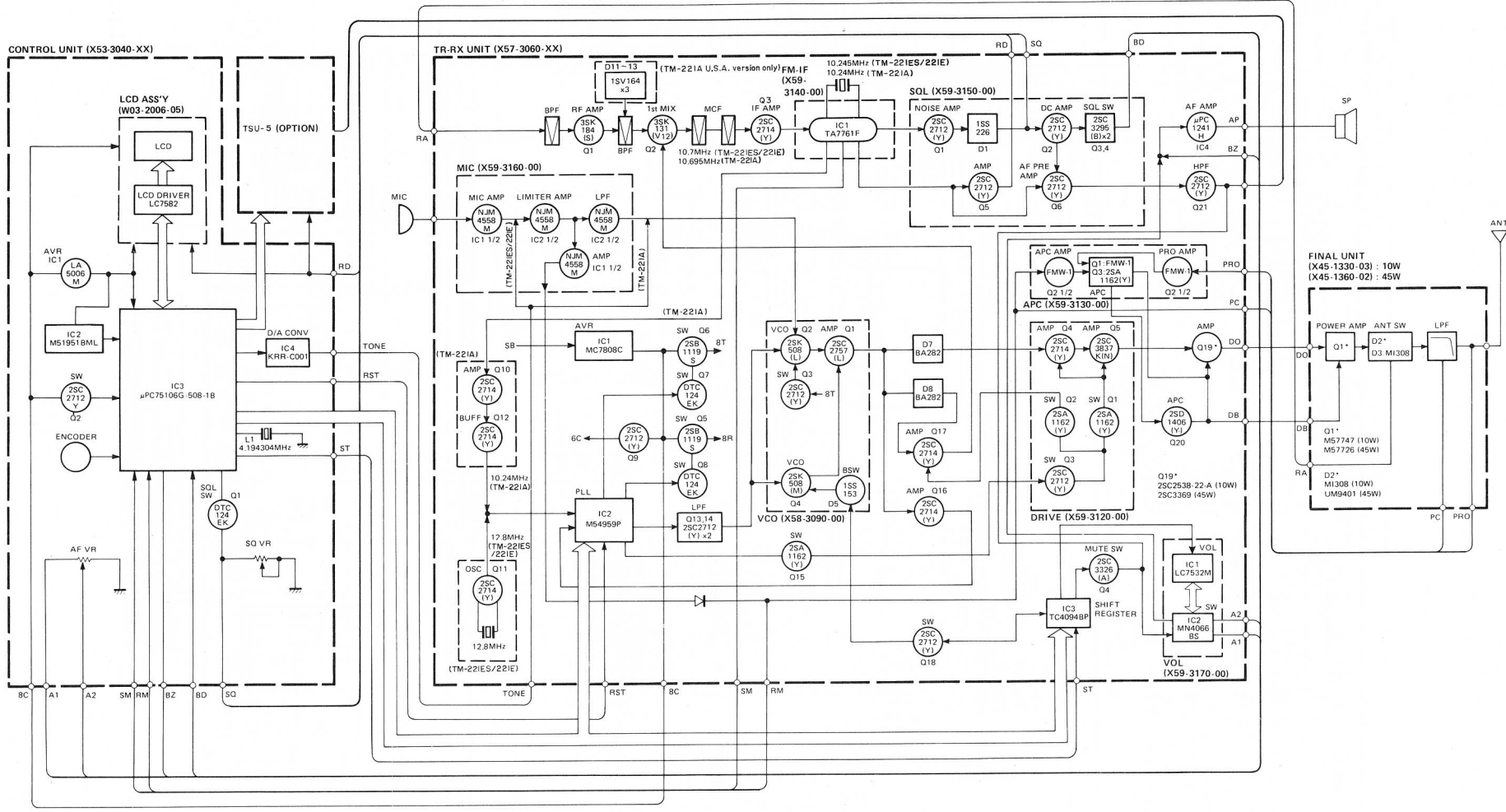
7-2. CIRCUIT DIAGRAM
7-2-1. TM-221 series

D1~4 : 1SS184

7. BLOCK DIAGRAM AND CIRCUIT DIAGRAM

7-1. BLOCK DIAGRAM

7-1-1. TM-221 series



Note: Circuit is subject to change without notice due to advancements in technology.